

Modular antenna poles system Björn

Björn is a modular antenna poles system for roof top sites. It is flexible and nearly everywhere applicable because of his modular components. **Björn** additionally reduces installation and construction costs due to the light weight of each single part. The modular „**Björn3**“ can be installed without crane or elevator if access to the planned pole position is available. Additionally you can save the cost for massive substructures.

Björn is designed for three radio antennas (length 1.3m) and two microwave antennas. The cable tray is inside the pole and saves additional roof penetration. The bottom fixing can be constructed by tension rods or by diagonal struts. So it is flexible in application.

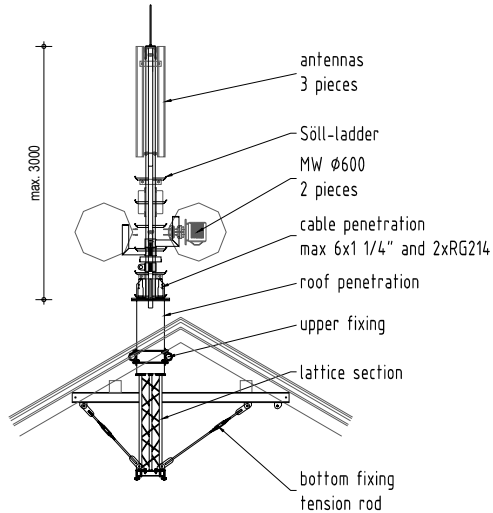
The Pole can be assembled by special designed parts, listed in our part catalogue. Structure parts of modular antenna poles system **Björn** are lattice sections below the roof, a tube at the roof penetration and several tubes above the roof. The upper fixing, bottom fixing, accessories (mw-console) and cable tray complete the parts catalogue. Söll-ladder and an attachment point are intended.



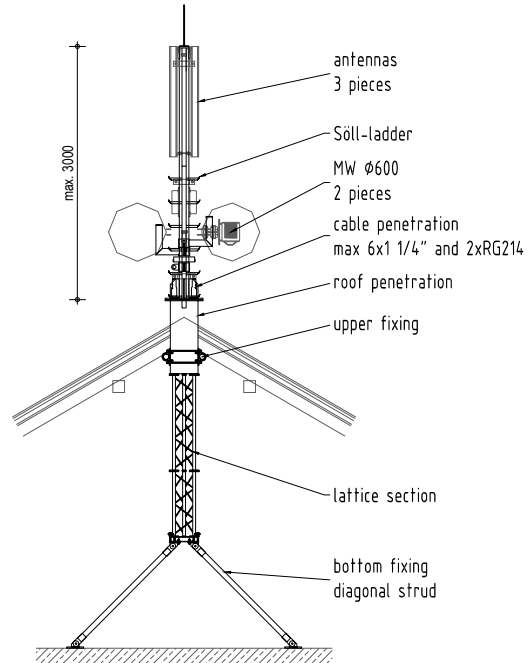
- ✓ Special design for rooftop sites
- ✓ Very flexible because of modular construction
- ✓ No massive substructure for antenna pole necessary
- ✓ Cost savings during construction period

examples

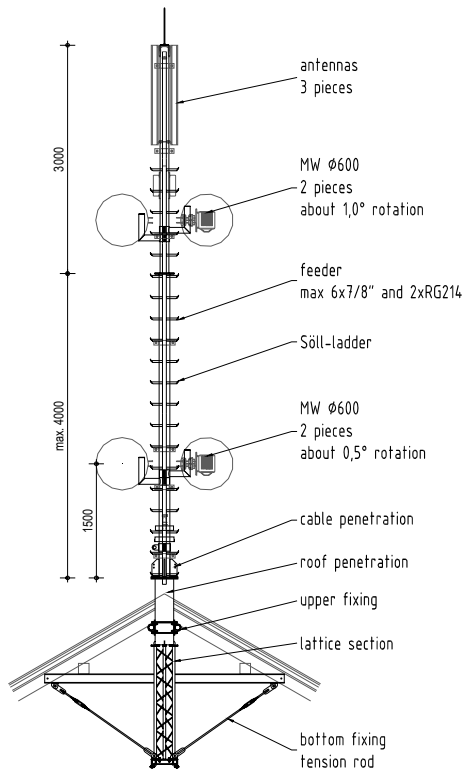
model Björn 3
 with tension rod



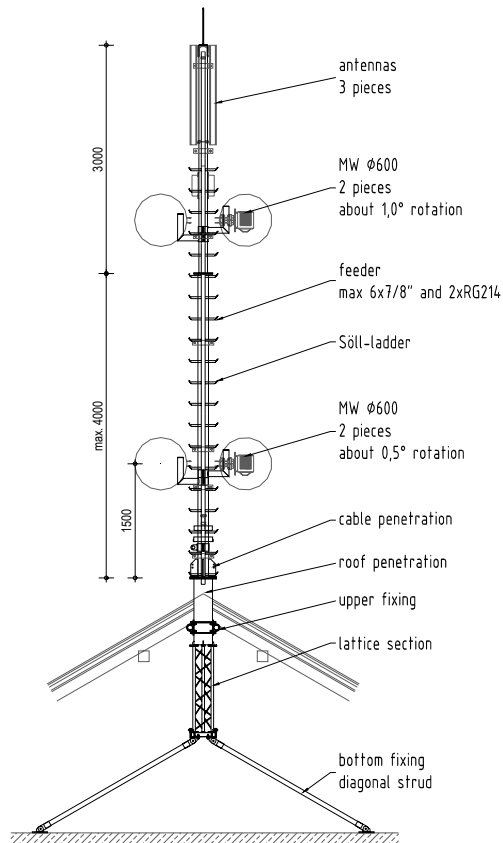
model Björn 3
 with diagonal strut



model Björn 3+
 with tension rod



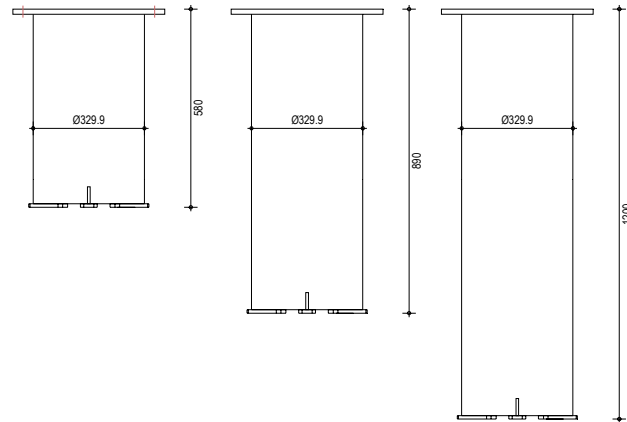
model Björn 3+
 with diagonal strut



examples from the parts catalogue

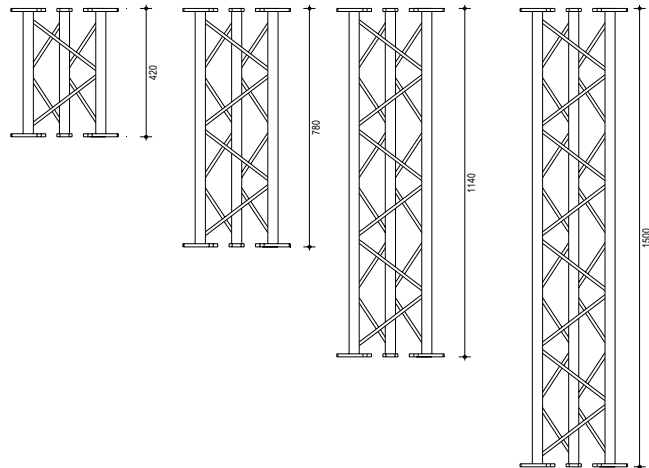
roof penetration:

Nr. 1.01.01.a lg=580mm
Nr. 1.01.01.b lg=890mm
Nr. 1.01.01.c lg=1200mm



lattice section:

Nr. 1.01.03.a lg=420mm
Nr. 1.01.03.b lg=780mm
Nr. 1.01.03.c lg=1140mm
Nr. 1.01.03.d lg=1500mm



cable tray:

Nr. 4.01.08.a1 für Ø139,7mm
Nr. 4.01.08.a2 für Ø114,3mm

